

# Extentrix Tutis

Protection - Safety - Security

The Comprehensive endpoint security solution for Citrix XenApp and Microsoft Terminal Servers



Threats to endpoints have grown along with the increased use of Terminal Servers such as Citrix XenApp and Microsoft Windows with Terminal Services. Endpoints have become a primary target for security threats.

Endpoint disruptions have a huge impact on enterprises in terms of cost and lost productivity. In light of this, security has become an essential component of any enterprise IT infrastructure.

Endpoint Security means controlling access to networks and systems by providing the means to scan endpoints, ensuring that they meet corporate standards before access is granted. These scans include looking for file and registry settings, operating system versions and patch level, checking whether anti-virus is running and whether its virus definitions are up to date, and insuring that

code (including spy-ware, mal-ware, and trojans) is introduced. Although many solutions were developed to secure Fat Client endpoint access, none are available for Thin Clients.

**Introducing Extentrix Tutis. The ultimate endpoint security solution built for Microsoft Terminal Servers and Citrix Application Delivery Platform.**

Security



Safety

Protection



## Extentrix Tutis in Nutshell

The ultimate endpoint security management solution, which incorporates security, safety and protection of endpoint devices that connect to Citrix XenApp servers and Microsoft Windows servers running terminal services either locally (LAN or WAN) or remotely (Internet).

Extentrix TUTIS provides administrators with high degree of protection against viruses, spyware and other threats originating on endpoint devices when connecting to Citrix XenApp servers or Microsoft Windows servers running terminal services. It provides administrator the means to set up comprehensive and robust scan policies to ensure that the endpoint device is very secure before granting it connection to the server. Upon connection of the client device, it is tested against defined security policies, each policy is associated with a response action that will be executed based on the results of the scan; they either permitted or denied connection to the server. After having connected to the endpoint, TUTIS will continue monitoring the endpoint device during the connection session to make sure that they will not violate the security conditions while they are connected. TUTIS manages the endpoints regardless of where they establish a connection to the servers either locally from the inside of the organization or remotely from anywhere in the world.

Security

Safety

## Tutis Components

Extentrix Tutis is a client-server solution; It consists of: Tutis Core Service: continuously checks new sessions connected to the server.

Tutis Management Console: GUI console that allows administrators to create, edit, and delete policies.

Back-end Database: Microsoft SQL server or Oracle server where policies and its associated details are stored.

Extentrix Agent is a virtual channel driver for RDP or ICA protocol.

## How it Works

Protection



### Define Policy

Using Extentrix Tutis Management Console, administrators create a policy to check if AV is running.



### Connect

When endpoint requests to connect to TS, Extentrix Tutis Core service sends the applicable policies to the endpoint.



### Scan

Extentrix Tutis Agents scans the endpoint environment for policy condition (AV is running) and reports the result back to Extentrix Tutis Core Service.



### Take Action

Extentrix Tutis Core service gets the result from Agent and takes the response action assigned by the administrator.



- 1 Client attempts to connect with server.
- 2 Server accepts the connection and Tutis Core service sends a list of policies specific to the particular session.
- 3 Tutis Agent scans client environment for policies conditions.
- 4 Tutis Agent reports scanning result to the core service.
- 5 Tutis Core Service applies response set by policy as required.

## Key Benefits



- **Endpoint Security:** Assessing risk to protect endpoints, including client antivirus and personal firewall, while protecting the network from the endpoints themselves by quarantine and access control (this isn't clear so you might want to reword it)
- **Designed for Thin Client Device:** Tutis is designed for Citrix XenApp and Microsoft Windows with Terminal Services from the ground up.
- **Endpoint policy management and policy enforcement:** Enable administrators to create policies, control endpoint activities, and require endpoints to meet those policies by disallowing access to their corporate infrastructure if a violation occurs.
- **Reduce administrator effort:** With a single console, Extentrix Tutis provides a central control point to manage all the policies and response actions for the entire farm using single management console. This increases operational efficiency such as single policy updates, provides a single place to create policies for all servers in the network. no changes on the client side and thus reduce the administrative effort.
- **Drop the total cost of endpoint security:** Since Tutis' licensing is based on server licensing, administrators are ensured a simple way of accounting and a cheaper way of introducing new effective technology into their network

## Security

## Features



- **Real time protection:** Provides a real time protection against any unmet conditions. It performs a continuous check on the client side to make sure they meet all the policies established. It checks for security requirements periodically and stops any security violation as soon as detected.

- **Single core service monitory system for all types of connections (ICA and RDP):** Provides an independent approach for scanning methodologies which ensures security regardless the connection type, device, and from anywhere.
- **Endpoint Security for Everyone:** Extentrix Tutis is designed to meet the endpoint security needs for businesses of all sizes with a price point in line with the budgets of small and medium business while not comprising advanced security.
- **Easy to use UI:** Comes with an easy to use UI that helps administrators create policies and control the access level of clients. It simulates Citrix Policy Standards.

Name	Priority	Status	Response Action	Description
M_Policy	1	Enabled	Send a Message	
M_Check_Ses_AllClientName	2	Enabled	Send a Message	
M_SendMessage_AllClientName	3	Enabled	Send a Message	
M_LogOff_ClientName	4	Enabled	Log Off	
M_Disconnect_ClientName	5	Enabled	Log Off	
M_ScanMessage	6	Enabled	Log Off	
M_Scope	7	Enabled	Send a Message	3 key = All exist + Server
M_Process	8	Enabled	Send a Message	2 process = Any exist + Server
M_File	9	Enabled	Send a Message	4 file = All exist + IP Ad
M_FrenchPolicy	10	Enabled	Disconnect	3 key value French = Un
M_LogOff	11	Enabled	Log Off	2 key = User = + All exist
M_DefaultMessage	12	Enabled	Send a Message	key (empty) = User 2.5 =
M_All Properties	13	Enabled	Log Off	logOff with default meet
M_Group	14	Enabled	Disconnect	key = Any File User 7.1
M_W2003 Server	15	Enabled	Send a Message	key = Any not exist + G
M_IP Range	16	Enabled	Send a Message	3 key = Server W2003.C
M_Disconnect	17	Enabled	Disconnect	key = IP Range = exist
M_LogOff	18	Enabled	Log Off	key
Policy 1	19	Enabled	Log Off	
Policy 1	20	Enabled	Disconnect	

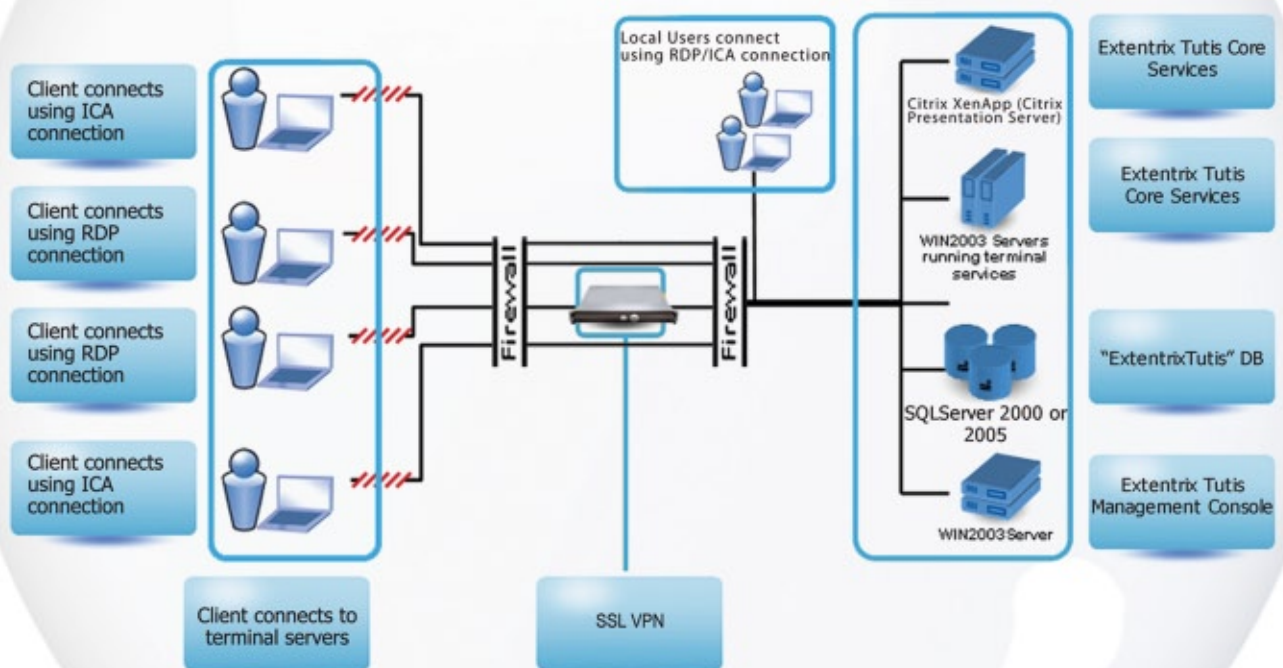
- **Flexible Policy based:** With Extentrix Tutis, administrators can create their own scans; Scans are fully customizable, enabling the administrator to create any type of checks to fulfill their security demands.
- **One installation package:** One package to install Core service, Management Console, Agents for Citrix XenApp and Microsoft Terminal Services
- **No end user intervention required for the installation of client component:** Users need only to run client setup and the client setting will receive automatic notification.
- **Single Solution for smart control stage (Sense-Respond):** Extentrix Tutis provides ability to detect any connection, scan client environment, responds to any security violation that the administrator specified



Safety

Protection

Security



### Learn More

Extentrix TutiS Home Page  
<http://www.extentrix.com/TutiS>

### Try it Now Free For 30 Days

Extentrix TutiS free 30-day trial.  
<http://www.extentrix.com/TutiS/Try.aspx>

Founded in 2006, Extentrix Systems is a leading software development company specializing in virtualization and developing access and security software solutions for Citrix and Microsoft customers. Established by former software engineers at Citrix, Extentrix have developed access solutions that simplify and speed users' access to Terminal Services and Citrix platforms.

Extentrix Systems headquarter is located in Dubai, UAE. For more information, please visit the company's Web site at [www.extentrix.com](http://www.extentrix.com) or call +971-4-208-8496